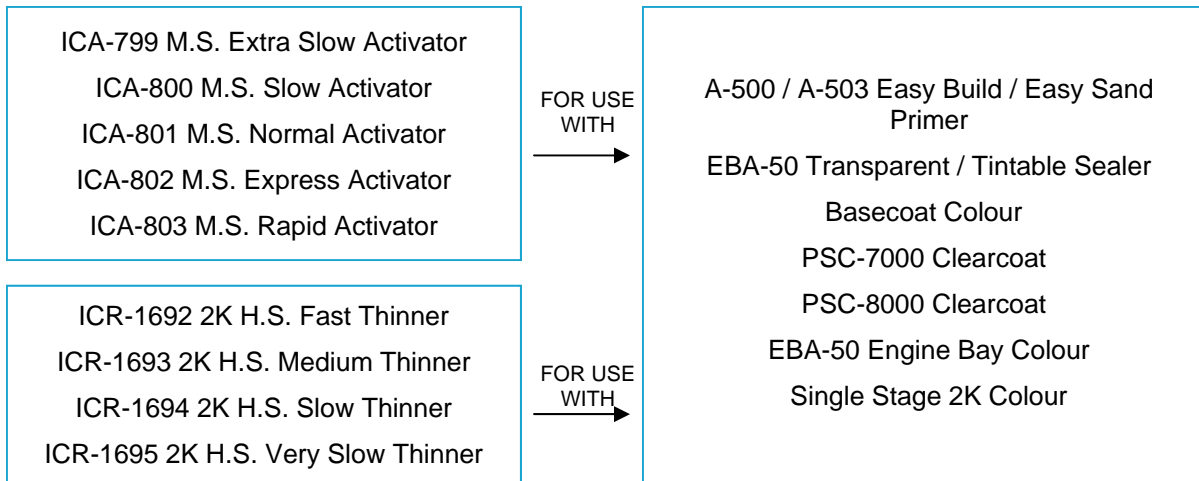
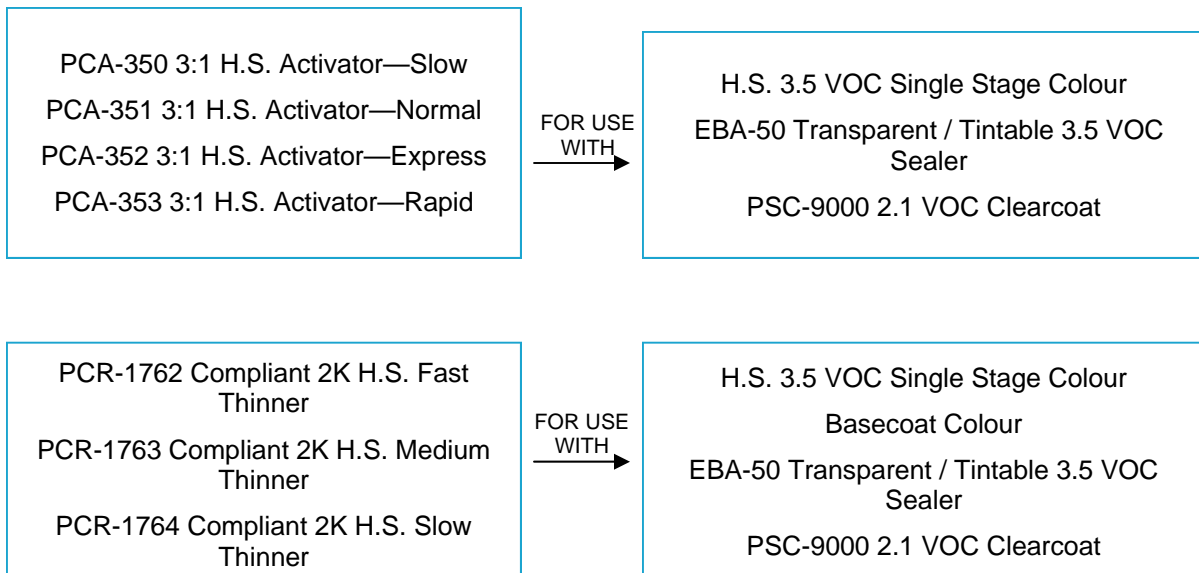


PRO-SPRAY ACTIVATOR / THINNER PRODUCT USAGE CHART

NATIONAL RULE ACTIVATORS / THINNERS



COMPLIANT ACTIVATORS / THINNERS



Rev. 4-3-06